

CARPORT SYSTEMS

XIAMEN MEGAWA SOLAR TECHNOLOGY CO., LTD

Email: sales@mgwsolar.com

Web: www.mgwsolar.com



AL Carport: Titan LITE



Solar Carport for Bifacial Modules – Long Lifespan & Low Maintenance



Traditional carports made of metal sheets are prone to rust and damage, leading to high maintenance costs. In contrast, the Titan LITE Carport is built with solar modules that offer a lifespan of over 25 years, even in harsh environmental conditions, significantly reducing maintenance expenses.

All-Aluminum Waterproof Structure with Patented Design



Featuring aluminum waterproof components and a specially engineered structural waterproofing system, the MEGAWA Carport effectively prevents leakage and aging issues, ensuring long-term durability.

Fast & Safe Installation



Our exclusive patented installation design simplifies the process, reducing both installation difficulty and safety risks while significantly improving efficiency.

KEY BENEFITS

- Make a good use of home land
- Save the electricity bill
- Make a good contribution of decarbonization
- Be convenient for EV Charging

APPLICATION SCOPE

Residential Area

Public Area

Commercial and Industrial Area

Parameter

Material: AL6005-T6 (A6N01A-T6 A6005C-T6)
Surface Treatment: Anodized or Painting
Design Standard: JIS C 8955 : 2017;AS/NZS 1170;DIN1055;
 ASCE/SEI 7-05;International Building Code: IBC 2009

Wind Load	Wind Speed	38m/s
	Category	III
	Use Coefficient	I=1.0
Snow Load	Average Snow Load	20N/m ² ~30N/m ²
Seismic Load	Lateral Seismic Factor	KH=0.3
	Seismic Coefficient	Z=1
	Use Coefficient	I=1.0

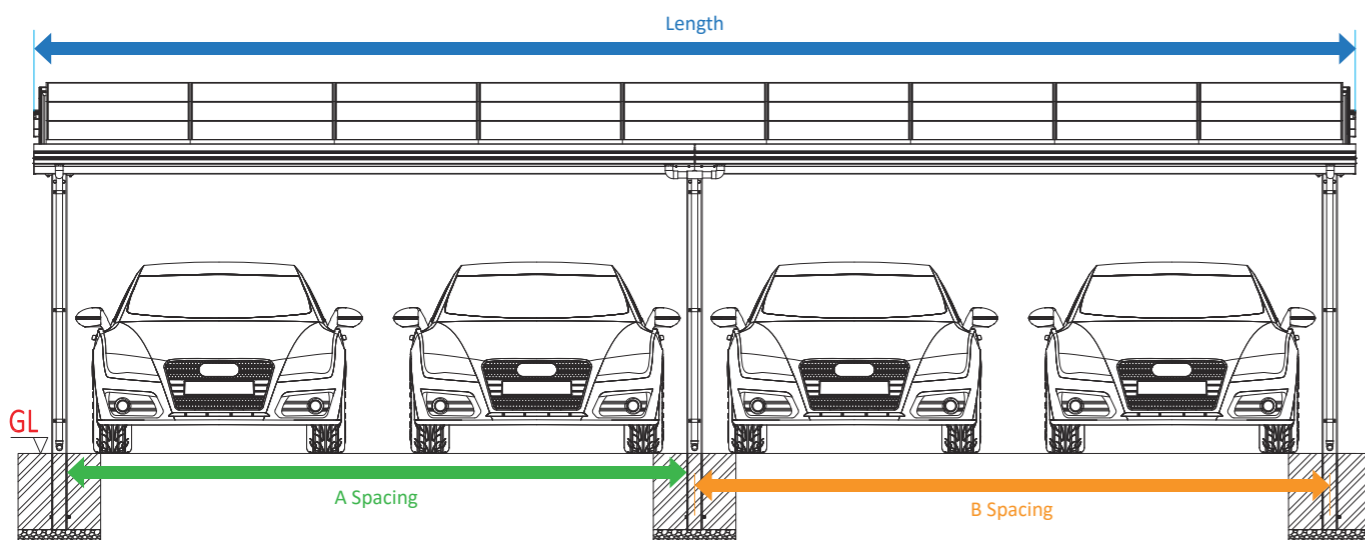


AL Cantilever: Titan PRO

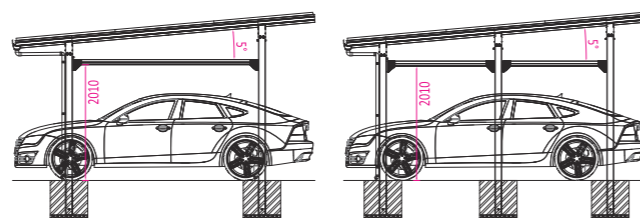


The rear-pillar design of the cantilever carport maximizes parking convenience and increases usable space. Its bifacial power generation enhances energy yield, delivering greater economic benefits.

> FRONT VIEW



	Length(mm)	A Spacing(mm)	B Spacing(mm)
2 Cars	5900	5380	5500
3Cars	8100	4880+2380	5000+2500
4 Cars	10400	4880+4880	5000+5000
5 Cars	16200	5080+5080+5080	5200+5200+5200



REMARKS:

- Size of installation area and environment conditions(wind speed, snow load, earthquake etc.) are required for designing a suitable for solar carport.
- If severe weather condition that excess our design condition is occurred, please clean the snow and drain the rain as much as possible. • Putting any stuff above the solar module, hanging any stuff under the carport, and climbing up the carport are prohibited. • Burning any stuff near the carport, using any equipment with high heat, inserting any stuff into the support, and any behavior to change the carport are prohibited. • Any alteration or modification of carport is prohibited without the approval of MEGAWA. • The color of the carport in this catalog is only for reference.
- The contents in this catalog may be different as different weather conditions. • All rights of this carport reserved by MEGAWA.

> PARAMETER

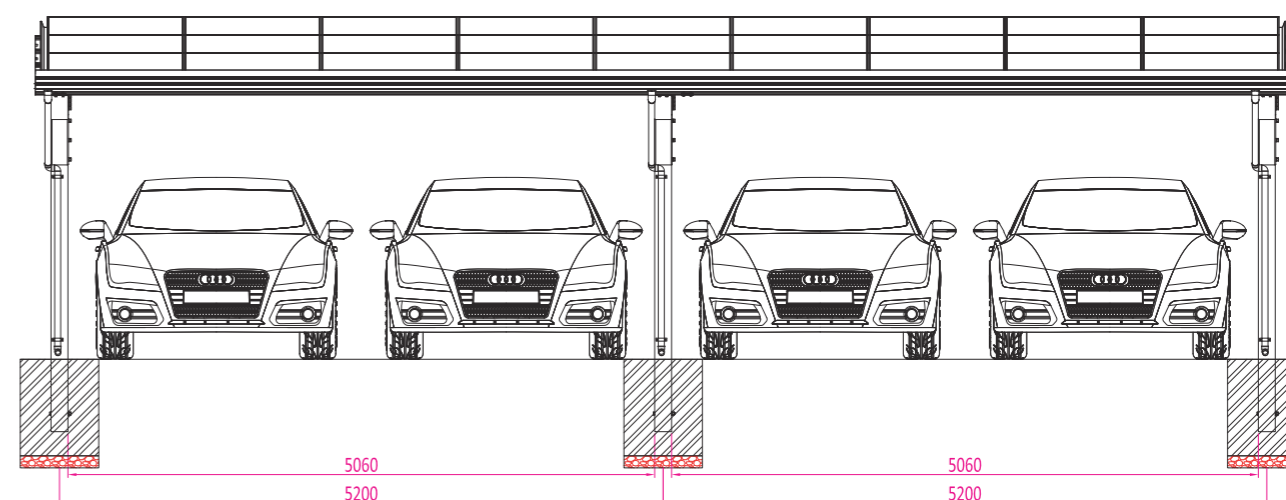
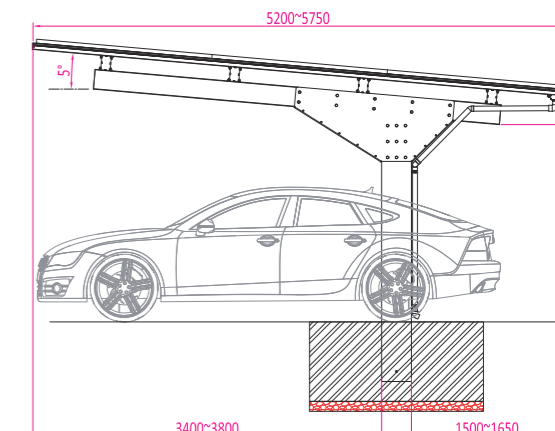
Aluminum Material: AL6005-T6 (A6N01A-T6 A6005C-T6)

Surface Treatment: Oxidation, coating, etc

Mechanical Design: Design based on building law

Heavy Salt Damage Protection Design: Heavy salt damage protection within 300m of the coastline

Wind speed resistance	Design reference wind speed	34m/s	
	Ground surface roughness differentiation	III	
	Utility coefficient	I=1.0	
Snow load resistance	Vertical snow load	under 99cm 100cm	The average is more than 30 days
	The average unit load of snow	20N/m ²	30N/m ²
	Design horizontal seismic intensity	KH=0.3	
Anti-seismic property	Seismic area coefficient	Z=1	
	Utility coefficient	I=1.0	



Advantages



Easy Parking & Optimized Space

The two-leg design simplifies parking, maximizes available space, and enhances user convenience, improving overall customer satisfaction.



Bifacial Power Generation for Higher Returns

Compatible with bifacial solar modules, it captures both direct sunlight and ground-reflected light, generating more power than traditional single-face modules and increasing economic benefits.



Efficient & Safe Installation

No need to climb above the solar modules during installation—modules can be secured from the backside, improving construction efficiency and safety.



Aluminum Structure

The water guide system is crafted from durable aluminum, offering long-term reliability compared to rubber, which is prone to aging and potential water leakage.



High Quality & Long-Term Durability

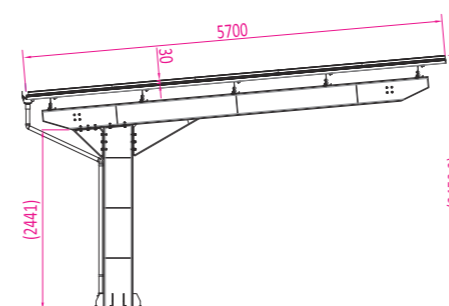
Constructed from aluminum alloy and high-corrosion-resistant steel, the structure features no welding, ensuring both aesthetic appeal and exceptional longevity. This combination guarantees high performance and extended service life.

ST Cantilever: Titan MAX

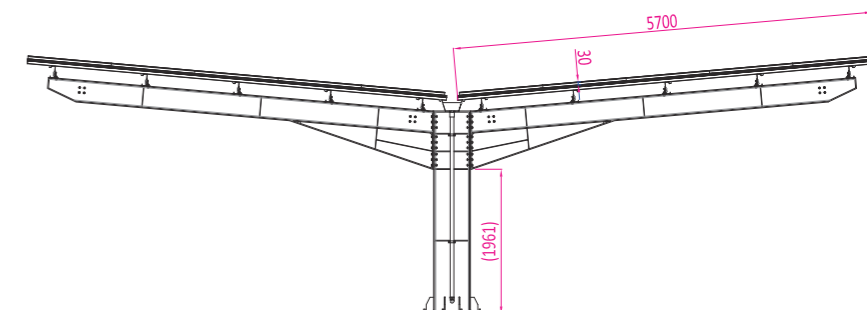


The MEGAWA single-post steel solar carport is designed for medium to large parking lots, offering reliable protection against sun, rain, and snow while enhancing passenger convenience when getting in and out of vehicles. It also provides a sustainable power source for charging electric vehicles, making it a smart, eco-friendly, and win-win solution.

> DIMENSIONS



SIDE VIEW OF SINGLE POST 7 SHAPE STEEL CARPORT



SIDE VIEW OF SINGLE POST Y SHAPE STEEL CARPORT

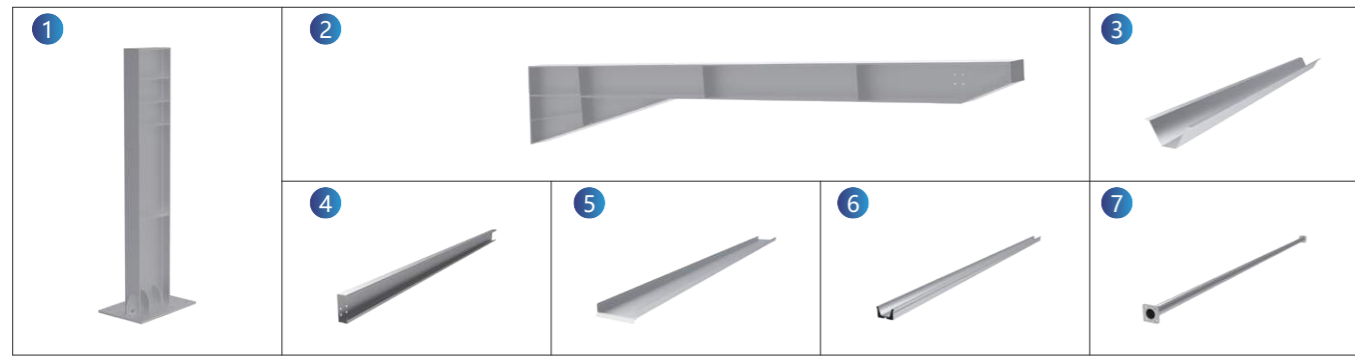
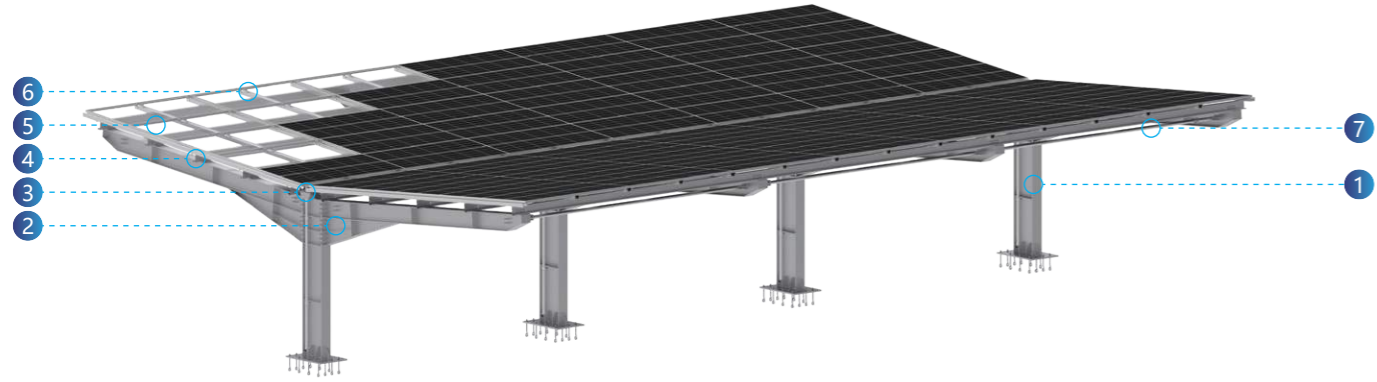
PARAMETER

Installation Orientation	Landscape /Portrait
Module Types	Frame
Wind Load	38m/s
Snow Load	60cm
Installation Tilt	5°
Material	Q235B/AL6005-T6
Installation Site	Commercial/Residential
Warranty	10 Years

ADVANTAGES

- 1.MEGAWA's patented design eliminates the need for high-altitude work when installing solar panels, enhancing safety and efficiency.
- 2.The single-post structure maximizes parking space utilization while reducing the risk of vehicle collisions, improving overall safety.
- 3.The solar panel installation angle can be adjusted as needed, effectively achieving sun protection, waterproofing, and fire resistance.
- 4.Made from highly corrosion-resistant hot-dip galvanized steel, ensuring a service life of over 20 years.
- 5.We provide full project planning assistance, including structural strength verification tailored to each project's requirements.
- 6.With a self-owned factory, MEGAWA offers flexible OEM/ODM services to meet customized project needs.

> ST CANTILEVER: TITAN MAX



> ST CANTILEVER: TITAN MAX

